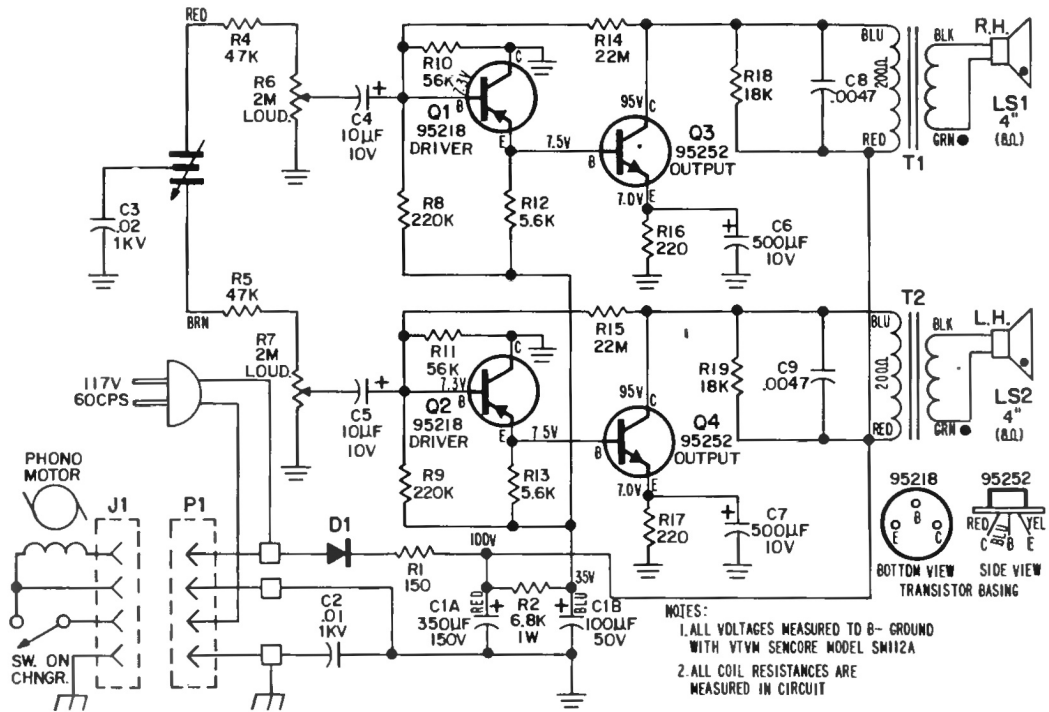


PHILCO Model P1444

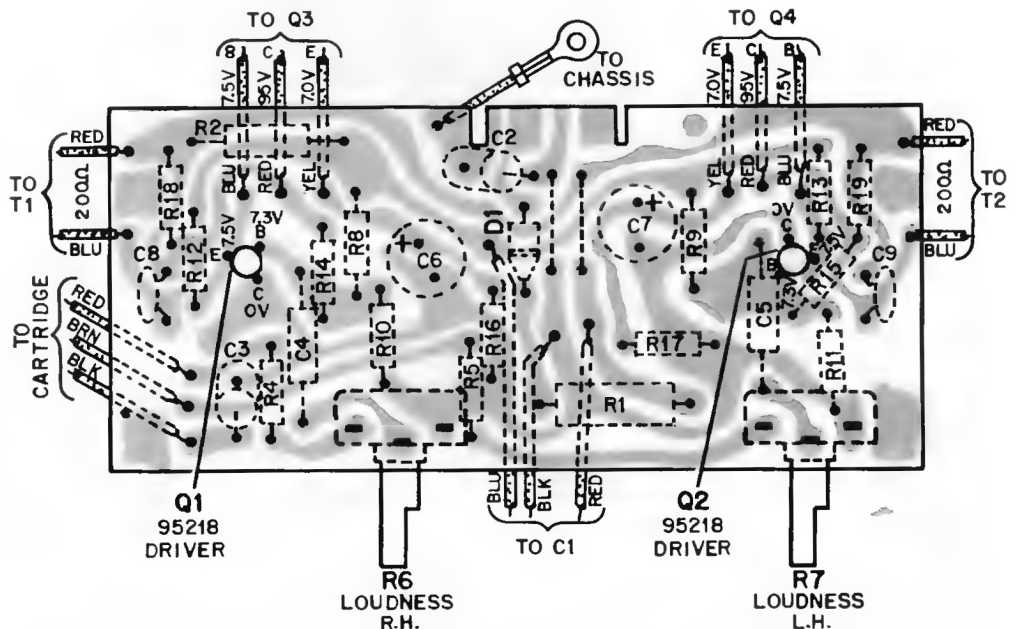


RECORD CHANGER REMOVAL - MODEL P1444

1. Lower changer drawer and remove 4 screws holding record changer to base.
2. Lift front of record changer and disconnect changer power plug, unsolder 3 leads to terminal strip.
3. Lift record changer from base.

CHASSIS REMOVAL-- MODEL P1444

1. Remove record changer (see record changer removal instructions).
2. Remove 2 knobs (Loudness).
3. Disconnect panel plug at rear of chassis panel and unsolder speaker leads from output transformer.
4. Remove 2 chassis hold down screws (one located at each end of chassis), lift chassis from base.



Model P1444 Bottom View Perma-Circuit Panel - Component Layout